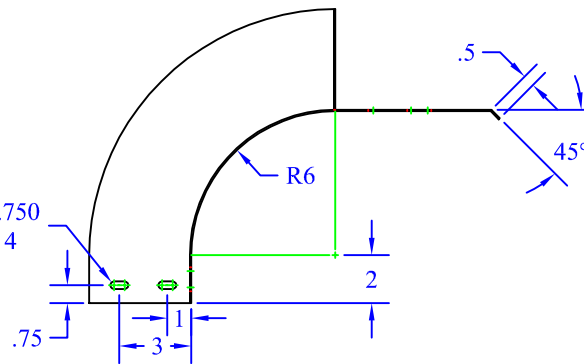


Ø.312 X 1.00
SLOT TYP
X 5

Ø.312 X .750
TYP X 4



General Notes:

- 1) Material to be commercial quality black steel per ASTM A568
- 2) Dimensional Tolerances:
 - A) General: .XX = ± .03" .XXX = .01"
 - B) Angular: ± 2°
 - C) Hole location: ± .03"
 - D) Hole dimension: ± .03"
 - E) Material thickness: ± .01"
- 3) Material Thickness Min 16 GA = .06"
- 4) All Angles to be 90° U.N.O.
- 5) Powdercoat per ASTM D3451

WBT
LLC

This drawing in design and detail is the property of WBT, LLC. and must not be used except in connection with our work. All rights of design or invention are reserved.

Radius Drop 4-4

MJ	SIZE	DATE		REV
	A	12/30/14		
SCALE		1:8	SHEET	