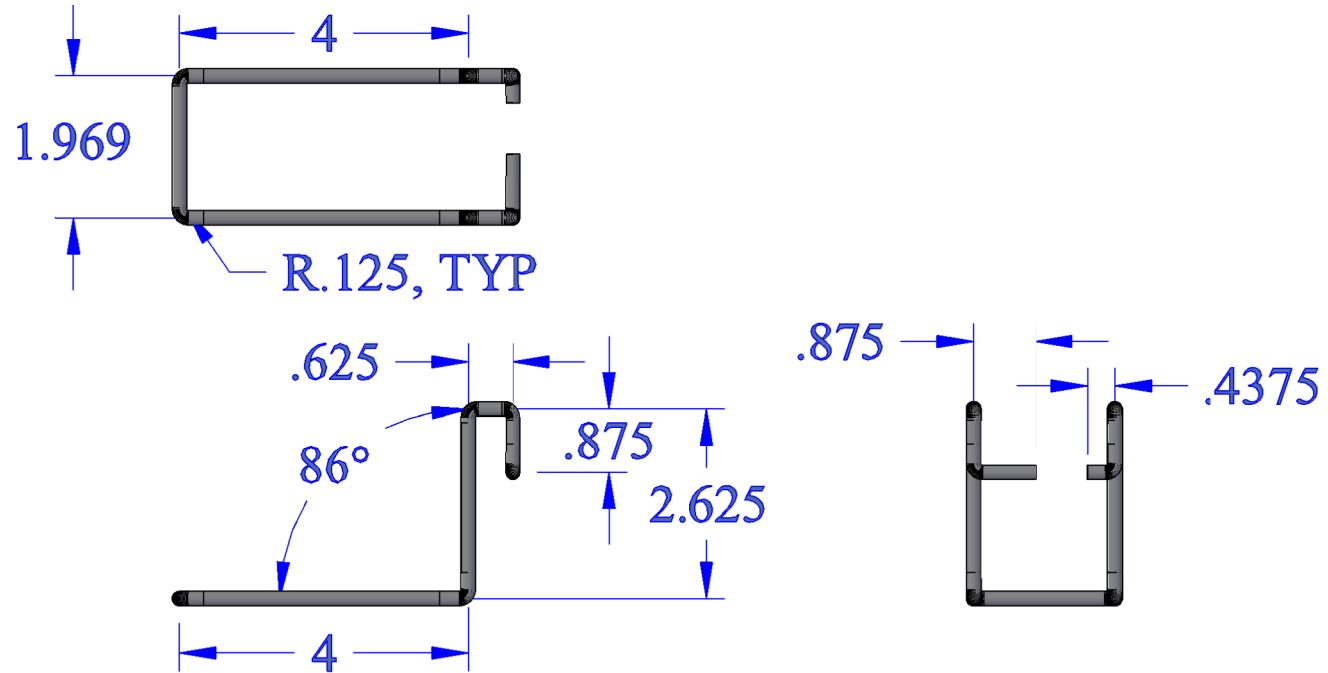


**General Notes:**

- 1) Material:
  - A) Regular Galvanized Wire Per ASTM A641
  - B) Carbon Steel Bright Basic Wire Per ASTM A510 Grade 1008
  - C) 304 & 316 Stainless Steel
- 2) Finish: (Carbon Steel Wire Only)
  - A) Coating 1.2 - 3.0 mils thick
- 3) Dimensional Tolerances
  - A) General:  $\pm 1/16$ "
  - B) Width:  $\pm 1/8$ "
  - C) Depth:  $\pm 1/8$ "
  - D) Angular Formation:  $\pm 2^\circ$
- 4) Wire Diameter
  - A)  $\text{\O} .187$ " (4.75 mm)



This drawing in design and detail is the property of WBT, LLC. and must not be used except in connection with our work. All rights of design or invention are reserved.

PART # OR NAME			DRAWN BY	
Ladder Rack Clip			RJM	
SIZE	DATE	SCALE	SHEET	REV
A	4/4/16	4.5"=1'	1 OF 1	N/A