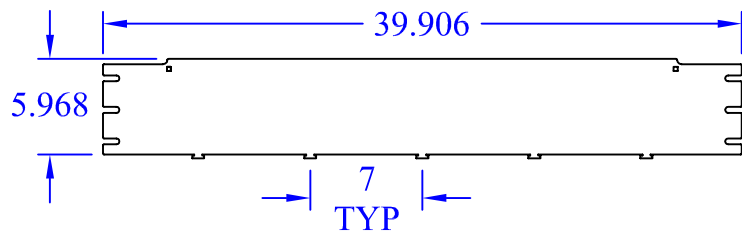
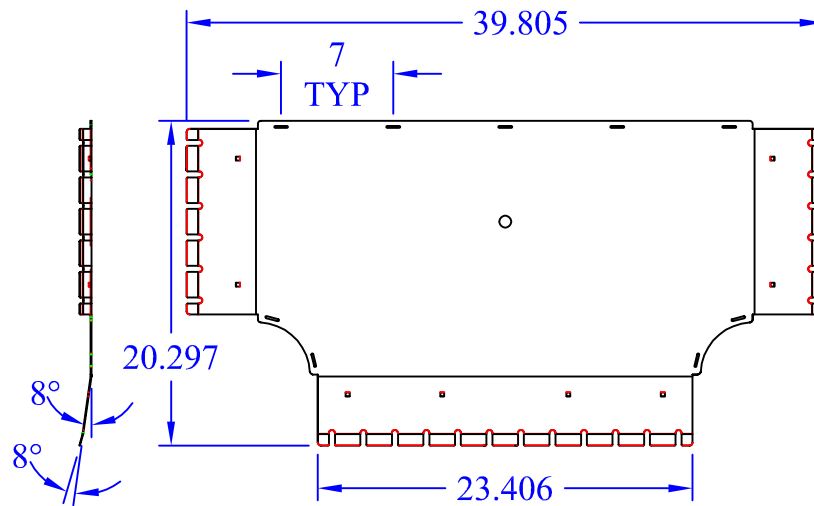


(2) WBT-6 IR



(1) WBT-T-6x24 TBACK



(1) WBT-T-6x12-24 BASE

General Notes:

- 1) Material:
 - A) Base: Galvanized
 - B) IR and OR: FR Poly; UL 94V-O
- 2) Dimensional Tolerances
 - A) General: $\pm .03$ "
 - B) Hole location: $\pm .03$ "
 - C) Hole dimension: $\pm .03$ "
 - B) Angularity: $\pm 2^\circ$
 - C) Material Thickness:
 - 1) Galvanized: $\pm .01$ "
 - 2) Poly: $\pm .01$ "
- 3) Material Thickness (MIN):
 - A) Galvanized: 18 GA. = $.05$ "
 - B) Poly: $.05$ "



This drawing in design and detail is the property of WBT, LLC. and must not be used except in connection with our work. All rights of design or invention are reserved.

PART # OR NAME			DRAWN BY	
WBT-T-6x12-24 XX			RJM	
SIZE	DATE	SCALE	SHEET	REV
A	3/14/17	VARIES	1 OF 1	N/A