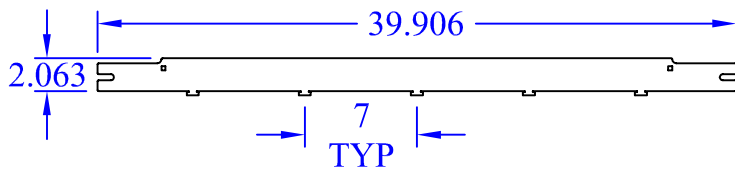
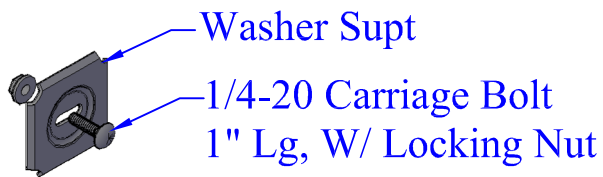


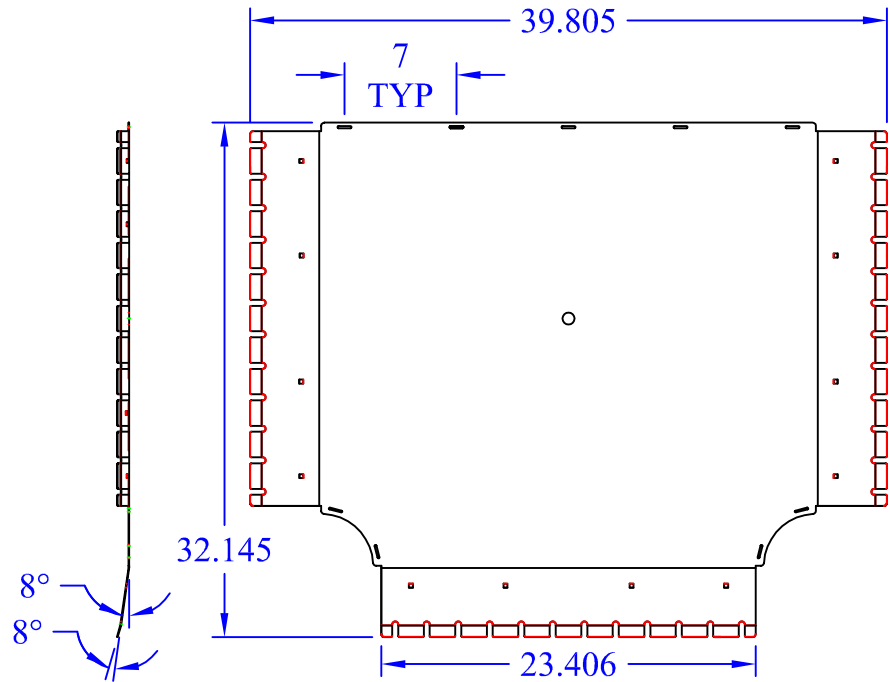
(2) WBT-2 IR



(1) WBT-T-2x24 TBACK



(9) Washer Supt



(1) WBT-T-Xx24 BASE



This drawing in design and detail is the property of WBT, LLC. and must not be used except in connection with our work. All rights of design or invention are reserved.

PART # OR NAME		DRAWN BY	
WBT-T-2x24 XX		RJM	
SIZE	DATE	SCALE	SHEET
A	4/20/15	VARIABLES	1 OF 1
			REV
			N/A