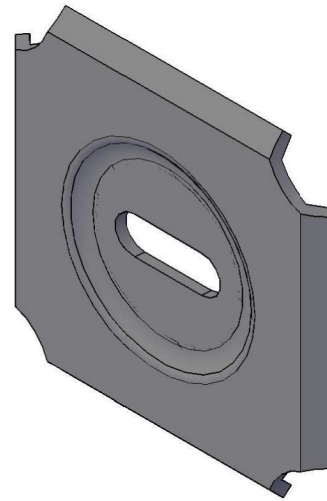


1/4-20 UNC Self  
Tapping Screw 1" Lg



Washer Supt



This drawing in design and detail is the property of WBT, LLC. and must not be used except in connection with our work. All rights of design or invention are reserved.

PART # OR NAME

Ground Splice

DRAWN BY

RJM

SIZE  
A

DATE  
6/21/17

SCALE  
1"-1"

SHEET  
1 OF 1

REV  
N/A