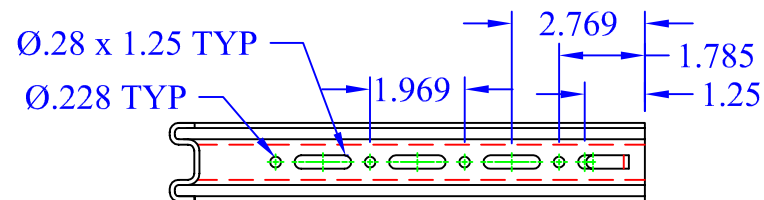
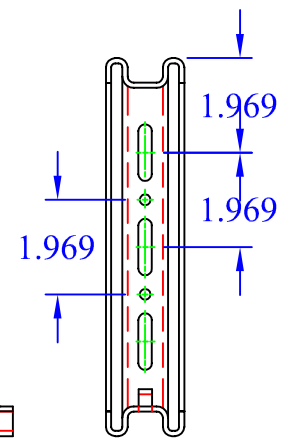
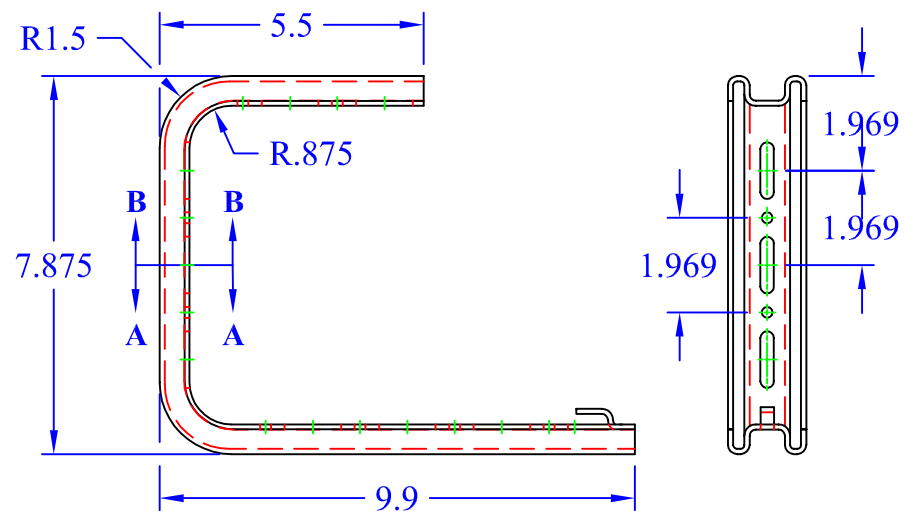


**View B:B**



**View A:A**

**General Notes:**

- 1) Material
  - A) Material to be commercial Quality Mill galvanized steel per ASTM A653 & A924 W/G-90 Coating min. yeild = 33KSI
  - B) Material to be commercial hot pickled & oiled steel per ASTM A569
- 2) dimensional Tolerances
  - A) General .xx= +/- 1/8
  - B) Hole Location= +/- .03
  - C) Hole Diameter= +/- .03
  - D) Angular: +/- 2°
- 3) Material Thickness (NOM) 12GA. = .1084
- 4) All Angles to be 90° U.N.O.
- 5) Finish: Electro-galvanized Per ASTM B633-SC1 type 3
- 6) Min Bend Radius to be 1/16"



This drawing in design and detail is the property of WBT, LLC. and must not be used except in connection with our work. All rights of design or invention are reserved.

PART # OR NAME			DRAWN BY	
C Bracket 8			RJM	
SIZE	DATE	SCALE	SHEET	REV
A	6/10/15	3"=1'	1 OF 1	N/A