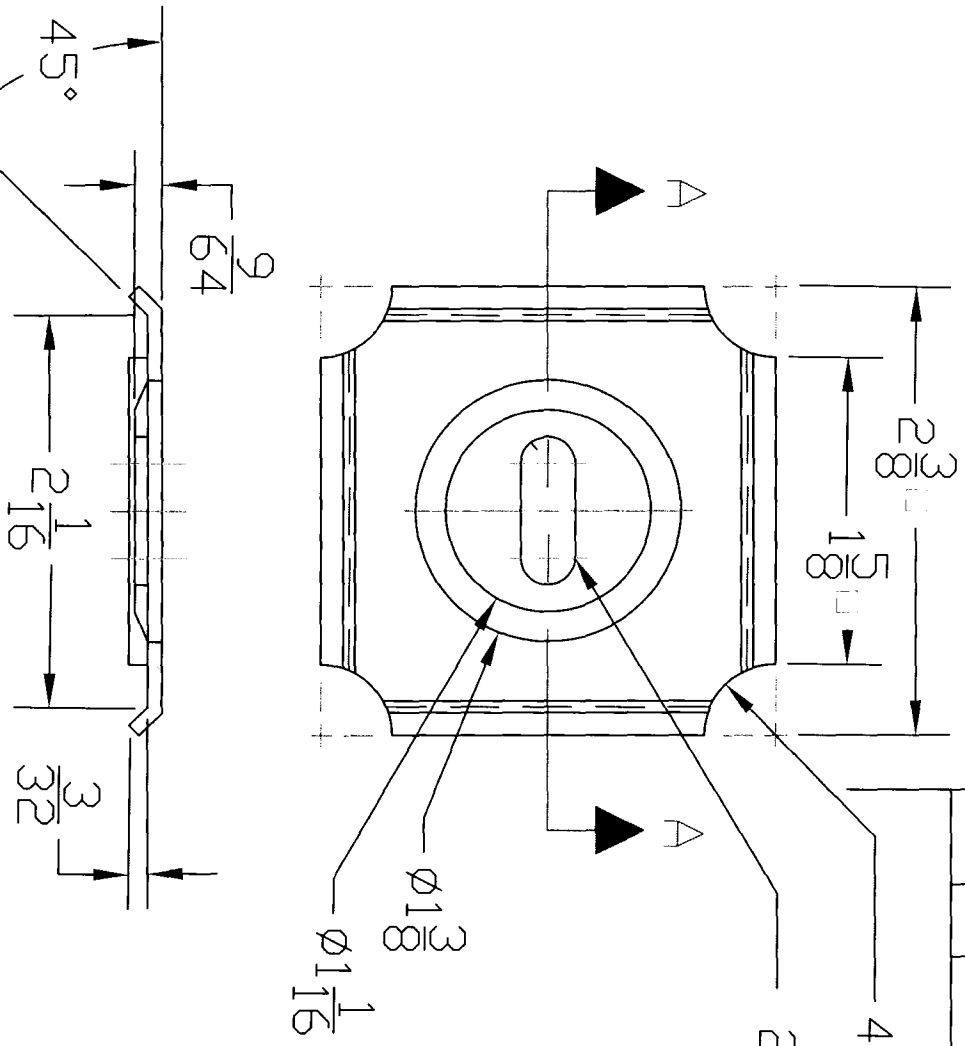


REVISIONS				
ZONE	REV	DESCRIPTION	DATE	APPROVED

4x R $\frac{3}{8}$
 25/32" x 9/32" Slot



General Notes:

- 1) Material:
 A) Commercial hot rolled pickled & oiled steel per ASTM A569
- 2) Dimensional Tolerances
 A) General: $\pm 1/16"$
 B) Material Thickness: $\pm 1/32"$
 C) Angularity: $\pm 2^\circ$
- 3) All Units Inches
- 4) Finish Options:
 A) Electro-galvanized per ASTM B633-SC1 Type 3
 B) Painted and Powdered
 C) Material Thickness: 14 Ga BL = .0747

WBT LLC

Washer Support

SIZE	FSCM NO.	DWG NO.	REV
CN			
SCALE		SHEET	