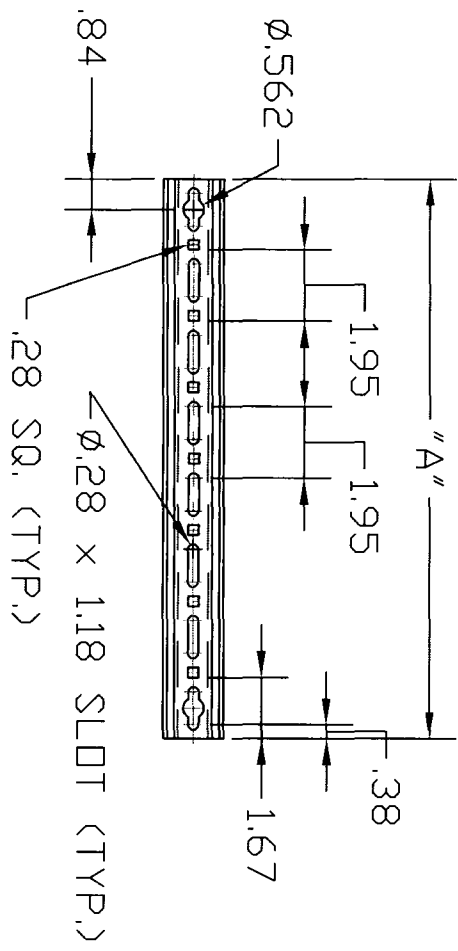


REVISIONS				
ZONE	REV	DESCRIPTION	DATE	APPROVED

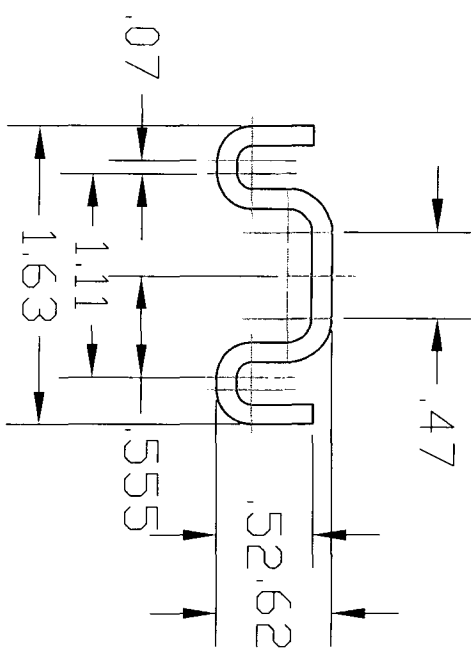


Item	Length "A"	# of Slots
12" Profile	15.32"	8
16" Profile	19.22"	10
18" Profile	21.17"	11
20" Profile	23.12"	12
24" Profile	27.02"	14



General Notes:

- 1) Material
 - A) Material to be commercial Quality Mill galvanized steel per ASTM A653 & A924 W/G-90 Coating min. yield = 33KSI
 - B) Material to be commercial hot pickled & oiled steel per ASTM A569
- 2) dimensional Tolerances
 - A) General .xx = +/- $\frac{1}{16}$
 - B) Hole Location = +/- .03
 - C) Hole Diameter = +/- .03
- 3) Material Thickness (NDM) 12GA. = .1084
- 4) All units in inches
- 5) Finish: Electro-galvanized Per ASTM B633-SC1 type 3
- 6) Cuts are made on the sq hole.



WBT LLC

Precut Profile

This drawing in design and detail is the property of WBT, LLC, and must be used except in connection with our work. All rights of design or invention are reserved.

SIZE	FSCM NO.	DWG NO.	REV
CN			
SCALE	SHEET		