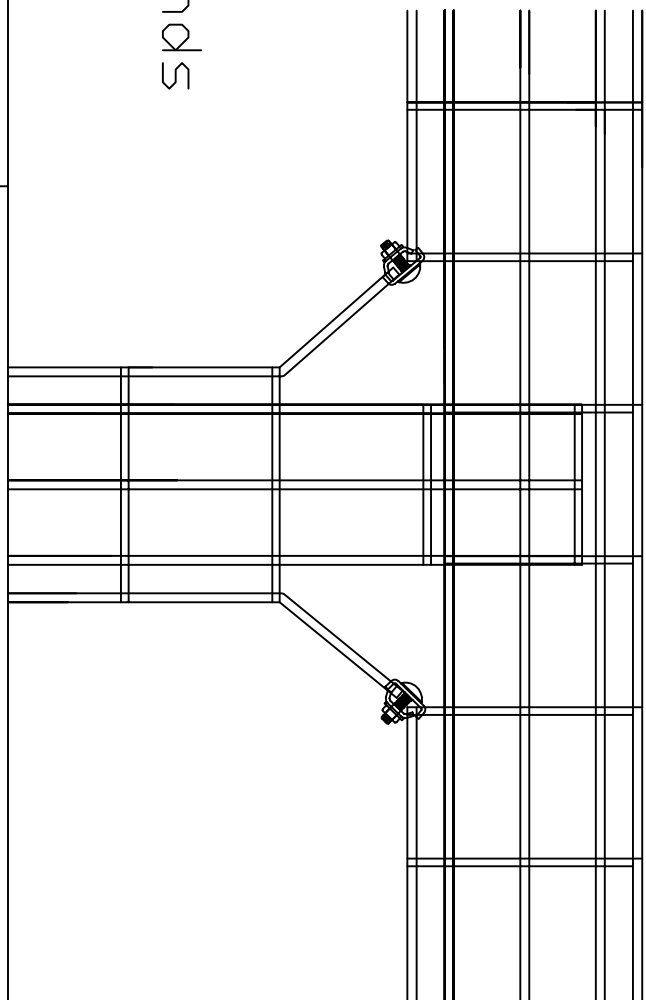
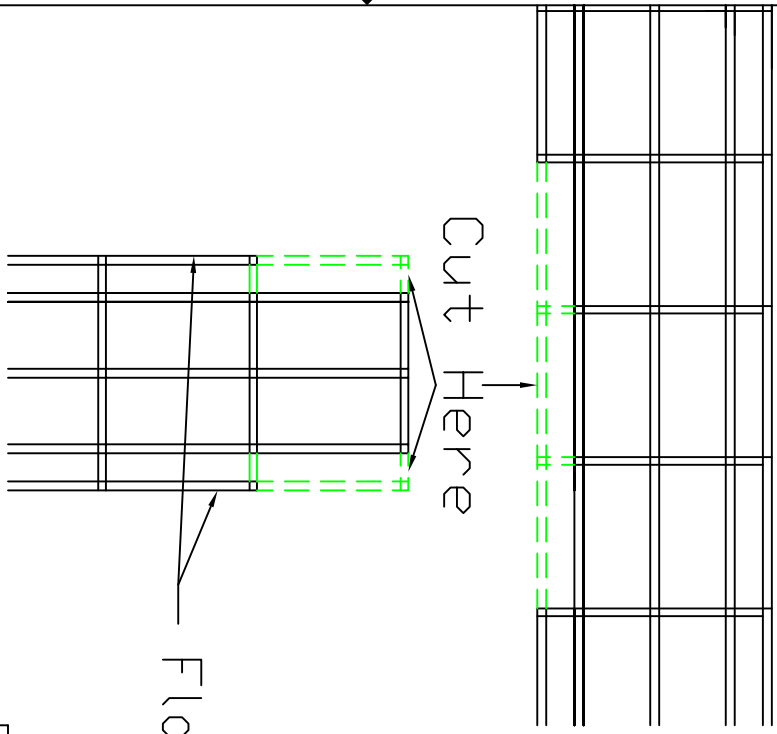


REVISIONS				
ZONE	REV	DESCRIPTION	DATE	APPROVED



This drawing in design and detail is the property of MBT, LLC, and must not be used except in connection with our work. All rights of design or invention are reserved.

T Intersection 6" Tray

CN	SIZE	Date:	REV
	A	11/29/10	
SCALE	1:5	SHEET	1 OF 1