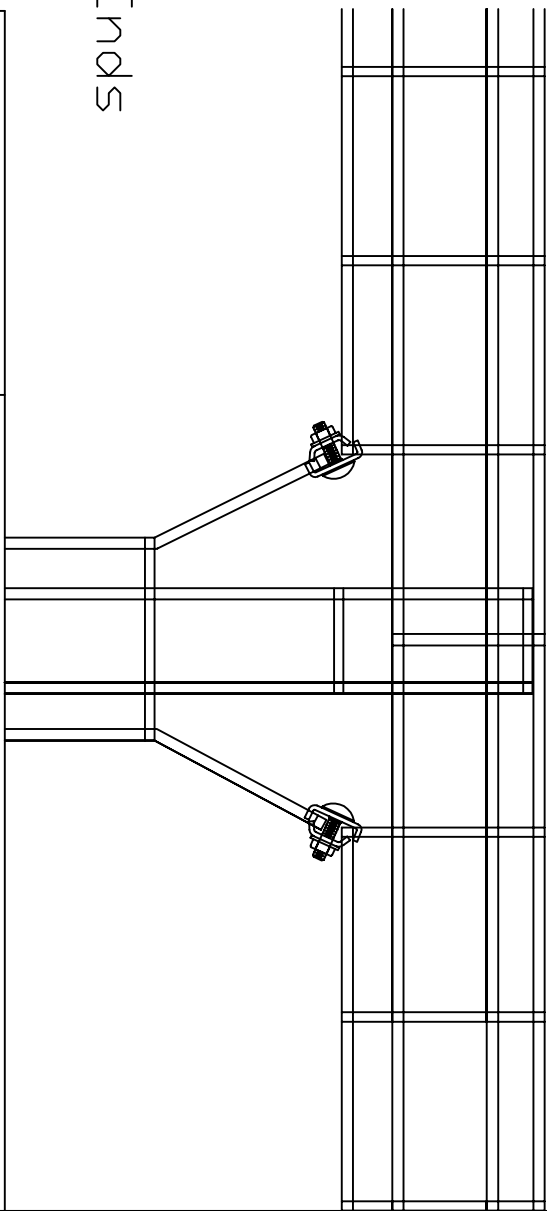
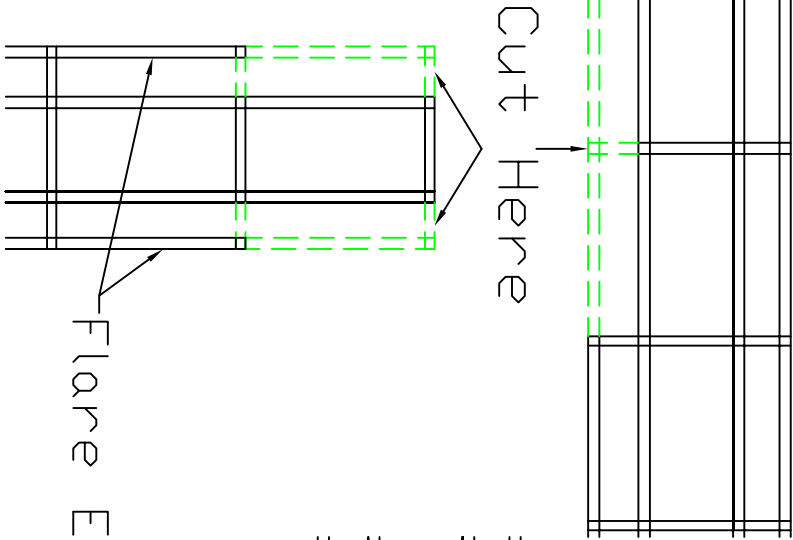


REVISIONS				
ZONE	REV	DESCRIPTION	DATE	APPROVED



**WBT** LLC

T Intersection 4" Tray

This drawing in design and detail is the property of WBT, LLC, and must not be used except in connection with our work. All rights of design or invention are reserved.

CN	SIZE: A	Date: 11/29/10	REV
SCALE: 1:4	SHEET 1 OF 1		